

1100, 1110 - ZW (Weft)



● 1101



● 1102 / 1112 (2002)
623765-71



● 1111
623745-70

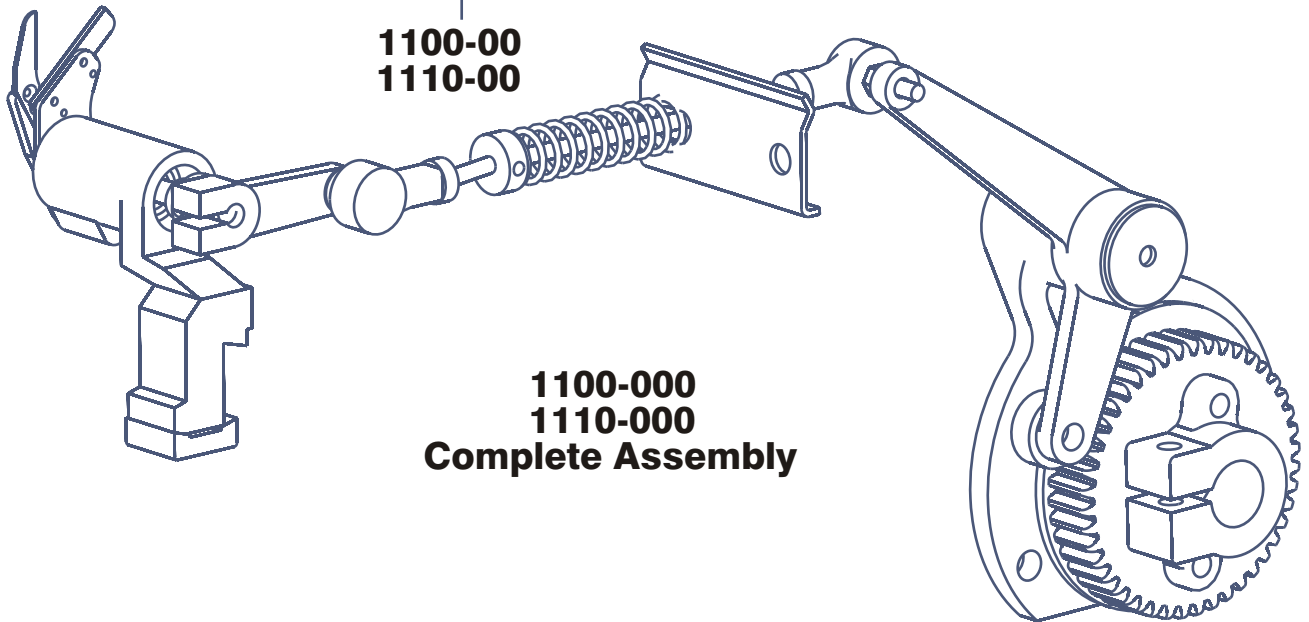


1106B / 1116B
Sheet Metal Thick



1105 / 1115
Shaft

1106A / 1116A
Sheet Metal Thin



1100-00
1110-00

1100-000
1110-000
Complete Assembly

1120, 1130 - ZW (Weft)



● 1121



1125 / 1135
Shaft



1126A / 1136A
Sheet Metal Thin

1126B / 1136B
Sheet Metal Thick

1120-00
1130-00